



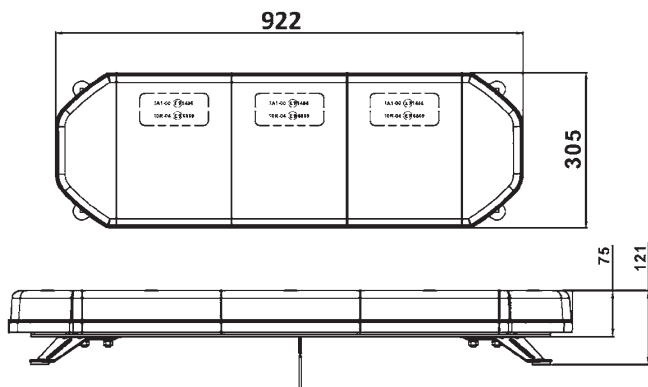
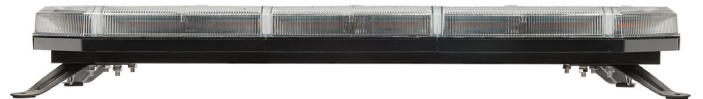
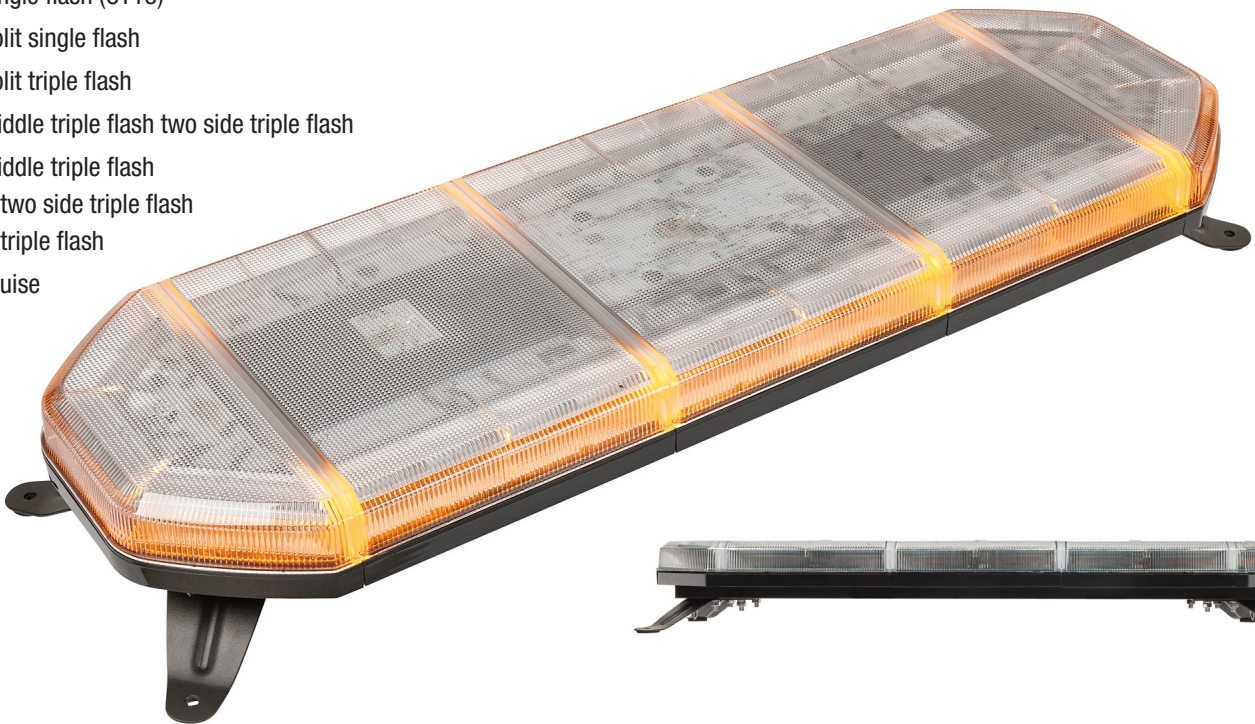
RCV9833

12/24V LED WARNING 922mm AMBER LIGHT BOLT MOUNT

Flash patterns:

1. Single flash (By Night)
2. Single flash (By Day)
3. Double flash (By Day)
4. Double flash (By Night)
5. Single flash (CT13)
6. Split single flash
7. Split triple flash
8. Middle triple flash two side triple flash
9. Middle triple flash
+ two side triple flash
+ triple flash
10. Cruise


12/24V Voltage	Reg 10 Approved	Reg 65 Approved	 x10 Flash patterns	 IP69K Waterproof
-------------------	--------------------	--------------------	--	--



Specifications

Product Code	RCV9833
Function	Amber Light Bar
Wattage	Average: 70W
Current Draw	13.5V: 4.6~6.23A 28V: 2.1~2.84A
Light Source	132 x 1W LED
Housing Material	Polycarbonate
Lens Material	Polycarbonate
Cable Length	2500mm
Approval	ECE R65 Class 2, ECE R10, CISPR25 Class 3, IP69K
Barcode	5055175261287

Ring Automotive Limited

Gelder Road, Leeds, LS12 6NA United Kingdom
Telephone +44 (0)113 213 2000 . Fax +44 (0)113 231 0266
Email: autosales@ringautomotive.com . www.ringautomotive.com
 /ringautomotive

Authorised Representative:

OSRAM GmbH
Nonnendammallee 44, 13629 Berlin, Germany
Email: automotive-service@osram.com
www.osram.com