



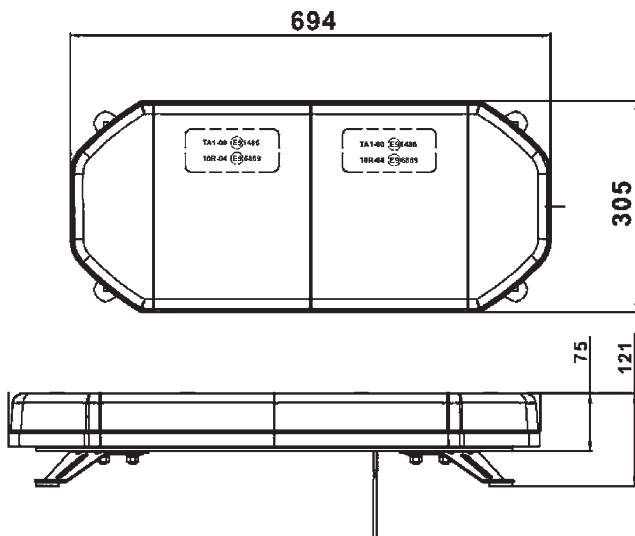
RCV9832

12/24V LED WARNING 694mm AMBER LIGHT BOLT MOUNT

Flash patterns:


1. Single flash (By Night)
2. Single flash (By Day)
3. Double flash (By Day)
4. Double flash (By Night)
5. Single flash (CT13)
6. Split single flash
7. Split triple flash
8. Middle triple flash two side triple flash
9. Middle triple flash
+ two side triple flash
+ triple flash
10. Cruise

12/24V <small>Voltage</small>	Reg 10 <small>Approved</small>	Reg 65 <small>Approved</small>	 x10 <small>Flash patterns</small>	 IP69K <small>Waterproof</small>
----------------------------------	-----------------------------------	-----------------------------------	---	---



Specifications

Product Code	RCV9832
Function	Amber Light Bar
Wattage	Average: 65W
Current Draw	13.5V: 4.6~6.23A 28V: 2.1~2.84A
Light Source	100 x 1W LED
Housing Material	Polycarbonate
Lens Material	Polycarbonate
Cable Length	2500mm
Approval	ECE R65 Class 2, ECE R10, CISPR25 Class 3, IP69K
Barcode	5055175261270

Ring Automotive Limited
 Gelderd Road, Leeds, LS12 6NA United Kingdom
 Telephone +44 (0)113 213 2000 . Fax +44 (0)113 231 0266
 Email: autosales@ringautomotive.com . www.ringautomotive.com
 /ringautomotive

Authorised Representative:
OSRAM GmbH
 Nonnendammallee 44, 13629 Berlin, Germany
 Email: automotive-service@osram.com
 www.osram.com