



RCV9830

12/24V LED WARNING 388mm AMBER LIGHT BAR MAG MOUNT

Flash patterns:


1. Single flash 480ms
2. Single flash 800ms
3. Double flash 480ms
4. Triple flash 480ms
5. Quint flash 480ms
6. Middle triple flash two side triple flash 2100ms
7. Left and right split flash triple flash 1400ms
8. Rotation 840ms
9. Middle triple flash
+ two side triple flash
+ triple flash 2700ms
10. Cruise

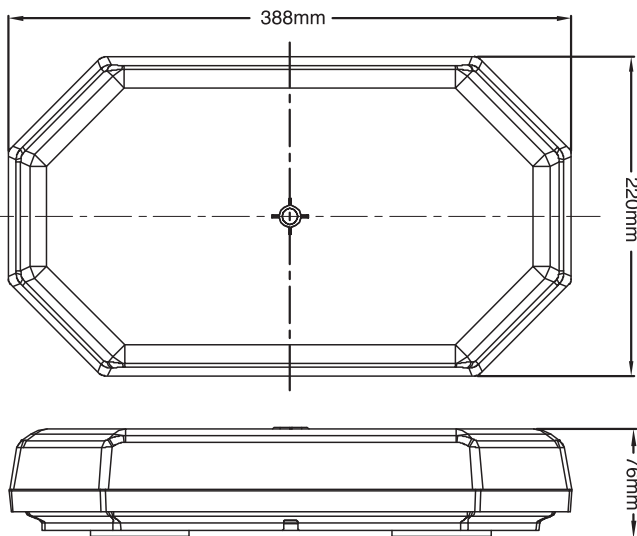
12/24V
Voltage

Reg 10
Approved

Reg 65
Approved


x10
Flash patterns



IP69K
Waterproof



Specifications

Product Code	RCV9830
Function	Amber Mini Light Bar, MG
Wattage	Average 21W
Current Draw	13.5V: 1400mA~1800mA 28V: 700mA~860mA
Light Source	56 x 1W LED
Housing Material	Polycarbonate
Lens Material	Polycarbonate
Cable Length	2500mm sheath cable with double switch
Approval	ECE R65 Class 1, ECE R10, CISPR25 Class 3, IP69K
Barcode	5055175261256

Ring Automotive Limited

Gelder Road, Leeds, LS12 6NA United Kingdom
 Telephone +44 (0)113 213 2000 . Fax +44 (0)113 231 0266
 Email: autosales@ringautomotive.com . www.ringautomotive.com
 /ringautomotive

Authorised Representative:

OSRAM GmbH
 Nonnendammallee 44, 13629 Berlin, Germany
 Email: automotive-service@osram.com
 www.osram.com