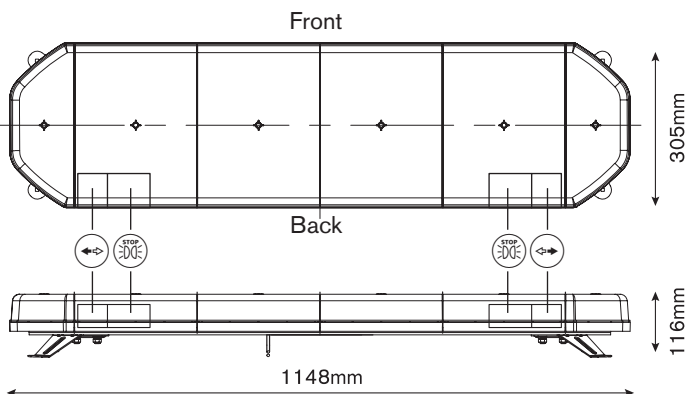


Integrated Stop Tail Indicator LED Amber Light Bar



12/24V Voltage	Low power	Long life	IP67 Weatherproof
Reg 65 Approved	Reg 10 Approved	Reg 7 Approved	Reg 6 Approved
3 Year Warranty			

- Built in stop/tail indicator lights
- Approved to R6, R7, R10 and R65
- Fully integrated solution
- Brackets and mounting kit included
- 10 user-selectable flash patterns



Specifications

Product Code	RCV9826
Function	Amber light bar
Wattage	103W
Light source	148 x 0.5W LED
Housing material	ABS
Lens material	Clear Polycarbonate
Cable length	500mm
Barcode	5055175243436

Ring Automotive Limited . Gelderd Road, Leeds, LS12 6NA United Kingdom
 Telephone +44 (0)113 213 2000 . Fax +44 (0)113 231 0266
 Email autosales@ringautomotive.com . www.ringautomotive.com
 /ringautomotive

Also available:

Ring also has a range of amber mini bars, standard lightbars, beacons and strobes.