

Introduction

This horn is to replace/upgrade your existing horn, before removing any components and commencing any fitting, it is advised that you read through these instructions.

System Type

(note: ensure your ignition is switched on while carrying out this test)

1. Disconnect the wire(s) from the original horn (if there is only 1 wire you have a positive activated horn)
2. If there is two wires, probe both wires with a test lamp or multi-meter.
 - a) If the test lamp illuminated or a voltage is measured you have an earthed activated system.
 - b) If the test lamp did not illuminate or a voltage wasn't measured you have a positive activated system.

Fitting Your Horn/s

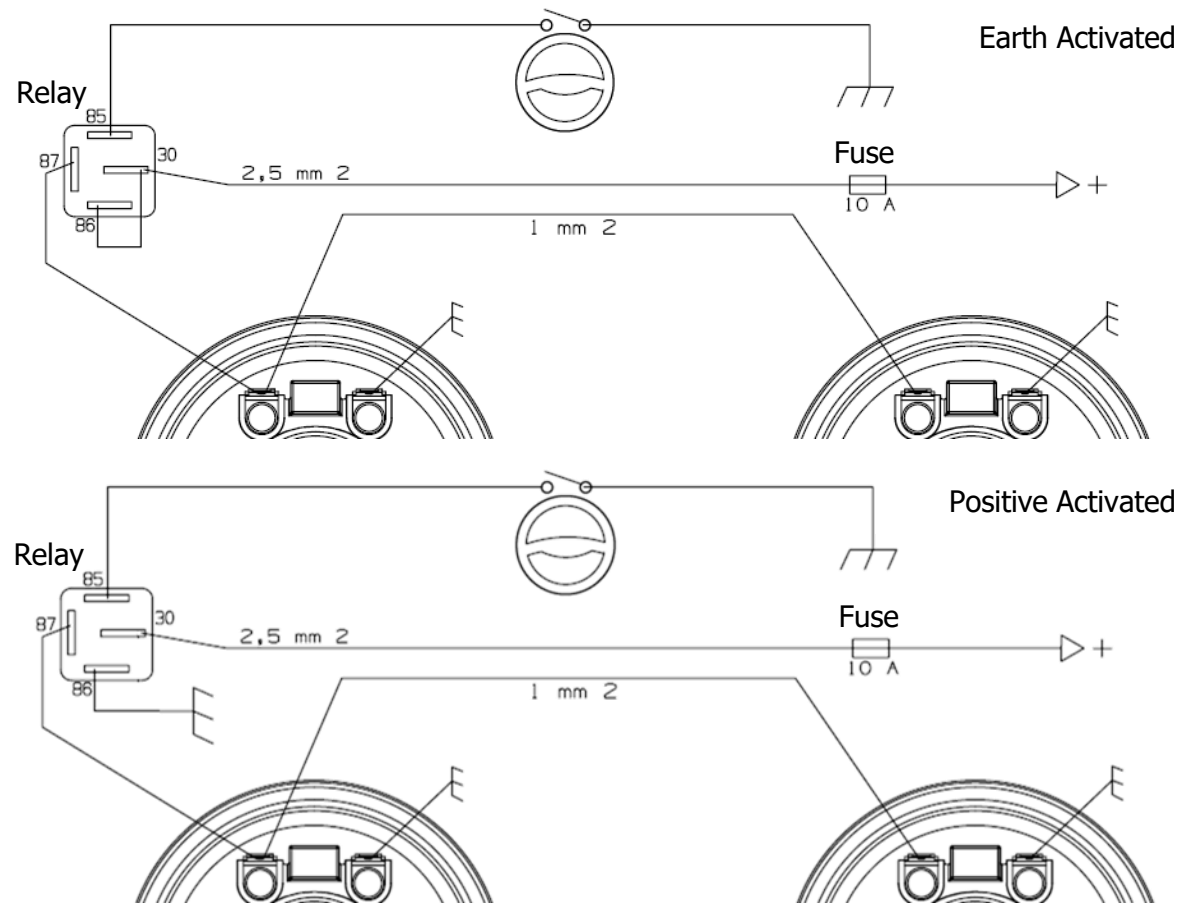
It is important to note the following points when fitting horns:

1. Mount horn/s away from engine heat sources.
2. Mount horn/s pointing slightly downwards to protect from moisture, water from road surface, car washes etc.
3. Mount horn to a solid surface.

Fitting

Before commencing any removal of old components and fitting of new, ensure that the vehicle is parked safely off the road with the handbrake on and isolate circuit by removing the relevant fuse.

If replacing a single horn, the use of a relay should not be required, if replacing and adding additional horns a relay would be required.



Distributed by:

Ring Automotive Limited, Gelderd Road, Leeds, West Yorkshire, LS12 6NA.

☎ +44 (0)113 213 2000

🌐 www.ringautomotive.com

✉ autosales@ringautomotive.com